

The Bandicoot

100 L
USD \$34.95



Where we win

QUAD-OPTICS:

RED LIGHT (LOW LIGHT)
SPOT BEAM (FOCUSED LIGHT)

AMBIENT (TWIN ELLIPTICAL LEDS)

READING DOWNLIGHTS

BRIGHT:

100+ LUMENS
2HR RUNTIME

LOW BATTERY INDICATOR:

SHOW YOUR POWER,
NOT JUST "YOU'RE
NEARLY OUT
OF POWER"!

USB RECHARGE:

NO CABLE NEEDED TO
CHARGE. ECONOMICAL AND
ENVIRONMENTALLY FRIENDLY

SINGLE CHASSIS:

BATTERY AND LEDS IN ONE

LIGHTWEIGHT:

WEIGHT IS UNDER 50 GRAMS

SILICONE:

FOR MAXIMUM
DURABILITY AND
COMFORT

100% WATERPROOF

THE TRUMP CARD:

SAVES YOU BUYING
OVER 650 AAA's



PRINCETON TEC EOS

Requires 3 AAA batteries
Fabric strap
No Red LED
\$10 more



NITECORE T360

Maximum output of 45 lumens
Single LED light
Requires tilting to adjust the light
Fabric strap
Fewer brightness options



BLACK DIAMOND COSMO

Require 3 AAA batteries
Fabric strap
Must tilt to adjust beam



BLACK DIAMOND IOTA

Very simplistic optics
\$10 more than Bandicoot



PETZEL TIKKA

AAA or NiMA batteries required (not rechargeable)
Battery lip depletes, lumen output does too
Fabric strap
Simple optics with only one main LED



CITY

HOME

DAY TRIPS

CAMPING

MULTI-DAY ADVENTURES



Where we win

LOW BATTERY INDICATOR:

4 STAGE RED LEDS SHOW YOUR POWER, NOT JUST "YOU'RE NEARLY OUT OF POWER"

OPTICS:

6 LED FLOOD BEAM TO SHED LIGHT ON EVERYTHING

MODEMAKER APP:

PROGRAM THE LIGHTHEAD'S NUMBER AND NATURE OF MODES



PWR BANK + LIGHTHEAD:

MODULAR SYSTEM IS COMPATIBLE WITH THE PWR RANGE

MOUNTS:

INC DIE-CAST ALUMINIUM MOUNT, PLUS ADDITIONAL EXTENSION MOUNTS AVAILABLE

THE TRUMP CARD: IT'S MODULAR...

- IT'S A POWER BANK
- RELOAD BATTERIES FOR INFINITE RUNTIME
- POWERS SOME OF THE PWR OUTDOOR PRODUCTS



MOON METEOR STORM PRO 2000LM

Comes with a replaceable battery but can't charge your own devices
 2 LED beam mean less all round visibility
 Bulky mount means less time riding



CATEYE VOLT 1600

200 lumens less for \$20 more
 Non removable battery
 Simple optic design
 Not suitable for helmet mounting
 No power bank



SERFAS USL-1600 E-LUME 1600

Cheaper but with less lumens and without flood beam
 Runs 1.5 hrs on full brightness with 1 hour extra for charging



LEZYNE EXPOSURE TORO

Same brightness for the same run time
 More than double the price!
 Exposure lights are good quality, but can sit comfortably next to PWR as they are a totally different price bracket



CYGLITE CENTAURI 1700 OSP

Only available with separate battery pack
 More expensive (by \$200) for 100 less lumens
 Bulky set-up and painfully ugly



pwr rider duo

Front, 450 L / Rear, 12 L
USD \$84.95



Where we win

LOW BATTERY INDICATOR:

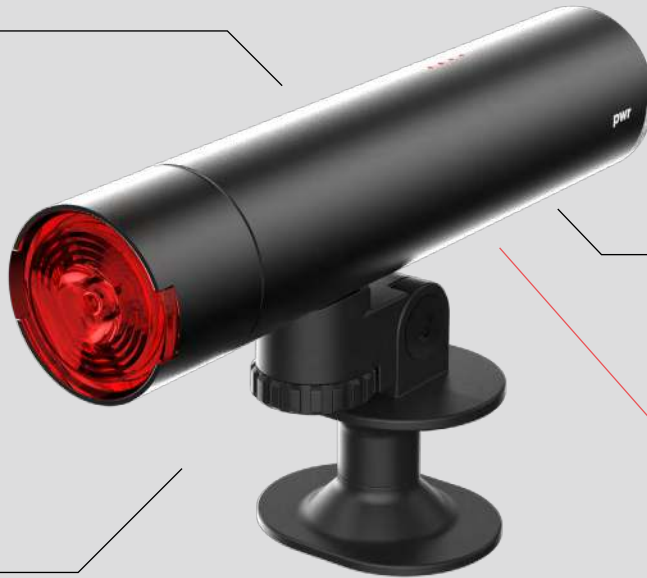
4 STAGE RED LEDS SHOW YOUR POWER, NOT JUST "YOU'RE NEARLY OUT OF POWER"!

SUPERIOR OPTICS:

ELLIPTICAL BEAM FRONT FOR "WIDE VIEW" OF THE ROAD. MEDIUM RANGE REDCAP BEAM FOR GOOD DISTANCE AND BREADTH OF VISIBILITY.

HELMET MOUNT:

EASY ON AND OFF, FITS ANY BAR SIZE.



INTEGRATED PWR BANK:

CHARGE YOUR PHONE AND OTHER DEVICES.

MODEMAKER APP:

PROGRAM THE FRONT AND REAR MODE COMBINATIONS.

THE TRUMP CARD: IT'S A POWER BANK!

CNC
MACHINED



COMMUTE

ROAD

BIKEPACKING

TRAIL

MOUNTAIN



LEZYNE MACRO DRIVE

Similar price at \$85

Advertised as 700, but only 400 max on steady
Promo video says 400 lumen runs for 90 mins
(but packaging says 3 hours)?

No ModeMaker

No power bank function



CATEYE VOLT

Same price

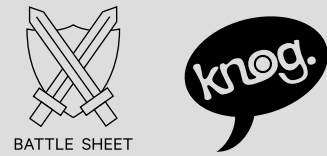
Limited mode options

No ModeMaker

No power bank function

pwr flashlight

- PWR SEEKER, 450 L : USD \$69.95
- PWR CAMPER, 600L : USD \$109.95
- PWR TREKKER, 1000 L : USD \$139.95
- PWR EXPLORER TORCH, 2000L : USD \$199.95



Where we win

LOW BATTERY INDICATOR:

4 STAGE RED LEDS SHOW YOUR POWER, NOT JUST "YOU'RE NEARLY OUT OF POWER"!

SUPERIOR OPTICS:

EVENLY SPREAD HARD-EDGE OPTICS FOR A CLEAR VIEW OF THE PATH AHEAD.

MODULAR:

GET A BIKE MOUNT TO CONVERT TO A HIGH POWER BIKE LIGHT. GET A PWR HEADTORCH STRAP TO CONVERT TO HEADLAMP.



REMOVEABLE LANYARDS:

GREAT FOR GRIP, BUT EASY TO REMOVE.

MODEMAKER APP:

PROGRAM THE NUMBER AND NATURE OF MODES.

THE TRUMP CARD: IT'S A POWER BANK!



PRINCETON TEC TORRENT

- 15% less power output,
- Requires 8 AA batteries
- Not a power bank
- No light modes
- More than the Seeker price



LED LENSER

Not modular: a wide range of flashlights, none of which have interchangeable lightheades or can convert to a bike light
Price: No LED Lenser flashlight matches any of Knog's in lumen : dollar



GOAL ZERO

Both the "Torch 250" and the "Spot" flashlights are big and bulky, with a much lower output than the lowest output PWR flashlight



PWR SOUND (SKIN) : USD \$69.95

PWR SOUND (SKIN) + SMALL BATTERY : USD \$109.95

Where we win

BACKLIT OPERATION BUTTONS:

FOR ADDED STYLE AND USEFUL INDICATION OF FUNCTION. INCLUDES BLUE LIGHT FOR BLUETOOTH PAIRING.

DUAL DRIVERS:

FOR SUPERIOR SOUND WITH LESS DISTORTION AND BETTER BASS RESPONSE.



MOUNT TO FRAME:

ADD THE PWR FRAME MOUNT TO HITCH TO BIKE OR TENT POLE UP TO 70MM DIAMETER.

THE TRUMP CARD: ITS BATTERY IS A POWER BANK

COMES AS A SKIN ONLY OR WITH SML PWR BANK INCLUDED. BUT USE MED PWR BANK FOR MAXIMUM RUNTIME. (NOTE, LRG PWR BANK NOT COMPATIBLE).



UE WONDERBOOM

Nice aesthetic and more rugged than it looks BUT does not attach to bike

Does not have an interchangeable battery, and no power bank function

At \$130, a lot more expensive than PWR Sound



BOOMBOTIX PRO

Wearable but not able to attach to bike \$100 but no possibility to remove battery and use to charge devices



pwr lantern

PWR LANTERN (SKIN) : USD \$39.95

PWR LANTERN (SKIN) + SMALL BATTERY, 300 L : USD \$84.95



BATTLE SHEET



Where we win

LOW BATTERY INDICATOR:

4 STAGE RED LEDS SHOW YOUR POWER, NOT JUST "YOU'RE NEARLY OUT OF POWER"!

LANYARD:

USEFUL FOR TRANSPORT OR HANGING IN TENT OR AROUND CAMPSITE.

ADJUSTABLE BASE:

LEGS FLIP IN FOR STORAGE OR HANGING USE. INSERT ACCOMMODATES ALL THREE (S, M, L) PWR BANKS.



BRIGHT!

300 LUMENS MAX OUTPUT, BUT WITH ADJUSTABLE DIFFUSER.

THE TRUMP CARD: ITS BATTERY IS A POWER BANK

COMES AS A SKIN ONLY OR WITH SML PWR BANK INCLUDED. BUT USE LRG PWR BANK FOR MAXIMUM RUNTIME.

CNC MACHINED



BIO LITE POWER LIGHT

Only 200 Lumen Lantern
No adjustment of light output to save power
No interchangeable power source



GOAL ZERO LIGHTHOUSE

Less compact than PWR Lantern
Larger lantern to carry
Good value but no option to purchase as a skin and to have interchangeable batteries



BLACK DIAMOND VOYAGER LANTERN

Same price as a PWR lantern skin, \$39.95
Only 140 lumens - less than half the PWR output
AAA Battery operated - no USB, no interchangeable PWR Bank



HOME

CAMPSITE

SUMMIT

pwr headtorch

PWR HEADTORCH STRAP / \$29.95

PWR HEADTORCH STRAP + SMALL BATTERY / 1000L / \$119.95



BATTLE SHEET



Where we win

LOW BATTERY INDICATOR:

4 STAGE RED LEDS SHOW YOUR POWER, NOT JUST "YOU'RE NEARLY OUT OF POWER"!

SUPERIOR OPTICS:

ELLIPTICAL BEAM FOR "WIDE VIEW" OF THE TRAIL AHEAD.

DUAL MODULARITY:

AS WELL AS THE PWR BANKS, THIS HEADLAMP IS COMPATIBLE WITH ALL 4 LIGHTHEADS IN THE PWR RANGE (BIKE AND FLASHLIGHT).



CHOOSE YOUR BATTERY:

GO SMALL OR MED DEPENDING ON YOUR ADVENTURE.

THE TRUMP CARD: ITS BATTERY IS A POWER BANK

COMES AS A PWR HEADTORCH STRAP ACCESSORY (USD \$29.95) OR WITH SML PWR BANK INCLUDED. BUT USE MED PWR BANK FOR MAXIMUM RUNTIME.

(LRG PWR BANK WILL WORK BUT NOT RECOMMENDED).

ADJUSTABLE STRAP:

BETTER FIT FOR EVERYBODY.



LED LENSER H14R.2

More expensive than PWR - same lumens

No option to buy parts - you can't swap lightheads and batteries, as you can with PWR

PWR Lighthouse 1000 includes more variety of optics than the single LED H14R.2



PETZL NAO +

Advertised as "Ultra powerful" but 250 lumens shy of PWR

At \$200, almost double the price of PWR

Does have mobile app, but no power bank to charge the phone



HOME

CAMPSITE

SUMMIT